

## Technical data sheet

### Signaling column

Part no.: 50143951

A7-V1-MP1-DS-M7-T-100-M12

#### Contents

- Technical data
- Dimensioned drawings
- Electrical connection
- Notes
- Accessories



Figure can vary



## Technical data

### Basic data

Series	A7
Type of signaling	Optical

### Electrical data

Life expectancy	> 100,000 h
<b>Performance data</b>	
Supply voltage $U_B$	24 V, DC, 10 %
Current consumption, max.	70 mA

### Connection

Number of connections	1 Piece(s)
Notes	Protected against accidental interchanges: Actuation of the colors is performed via PINs, thus, the calotte position can be freely selected (see operating instructions).

#### Connection 1

Function	Light color programmable via actuation of wires
	Voltage supply
Type of connection	Connector

### Mechanical data

Design	Cylindrical
Dimension ( $\varnothing$ x L)	70 mm x 220 mm
Housing material	Plastic, PC
Net weight	333 g
Housing color	Black
	Gray
Type of fastening, at system	Screw type / horizontal
Type of illuminant	LED/24V
Lens modules	1 piece
Display of the lens colors	7 colors can be selected
Signal image	Continuous or flashing light
Lens colors	Blue
	Green
	Pink
	Red
	Turquoise
	White
	Yellow
Angle of radiation	360°

### Certifications

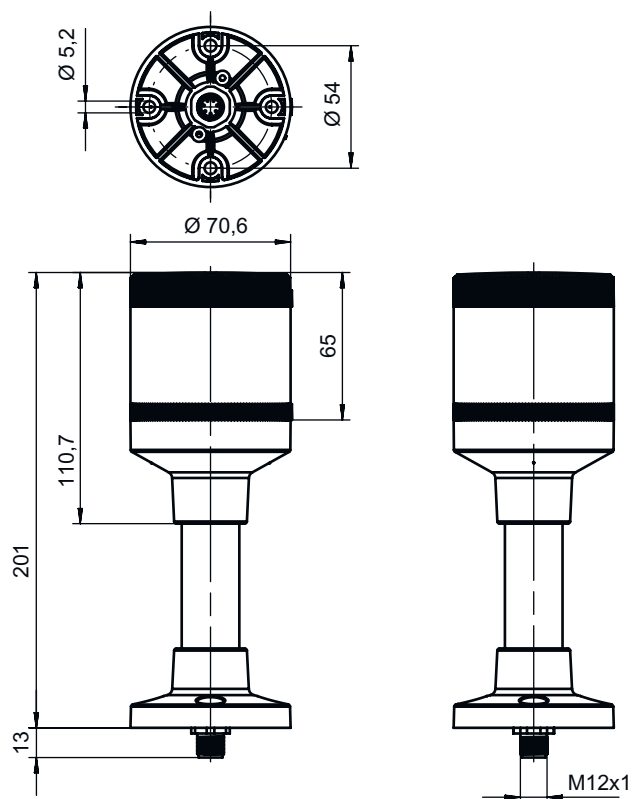
Degree of protection	IP 66, Only when mounted on a housing with the same degree of protection
Certifications	CE
	CSA

### Classification

Customs tariff number	85318070
eCl@ss 8.0	27371230
eCl@ss 9.0	27371220
eCl@ss 10.0	27371230
eCl@ss 11.0	27371230
ETIM 5.0	EC000232
ETIM 6.0	EC000232

# Dimensioned drawings

All dimensions in millimeters



## Electrical connection

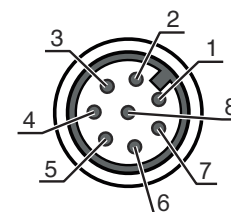
### Connection 1

<b>Function</b>	Light color programmable via actuation of wires Voltage supply
<b>Type of connection</b>	Connector
<b>Thread size</b>	M12
<b>Type</b>	Male
<b>Material</b>	Metal
<b>No. of pins</b>	8 -pin
<b>Encoding</b>	A-coded

### Conductor color

<b>White</b>	Multicolor light color: white
<b>Brown</b>	n.c.
<b>Green</b>	Multicolor light color: green
<b>Yellow</b>	Light color: yellow/orange
<b>Gray</b>	GND
<b>Pink</b>	n.c.
<b>Blue</b>	Light color: blue
<b>Red</b>	Light color: red

### Conductor assignment



## Electrical connection

Conductor color	Conductor assignment
BlueRed	Multicolor light color: pink
GreenRed	Multicolor light color: yellow
BlueGreen	Multicolor light color: turquoise
BlueGreenRed	Multicolor light color: white
NOTE	Connect all listed wires to obtain the corresponding light color.

## Notes

**Observe intended use!**

- ⌘ This product is not a safety sensor and is not intended as personnel protection.
- ⌘ The product may only be put into operation by competent persons.
- ⌘ Only use the product in accordance with its intended use.

## Accessories

### Connection technology - Connection cables

	Part no.	Designation	Article	Description
	50135127	KD S-M12-8A-P1-020	Connection cable	Connection 1: Connector, M12, Axial, Female, A-coded, 8 -pin Connection 2: Open end Shielded: Yes Cable length: 2,000 mm Sheathing material: PUR
	50135128	KD S-M12-8A-P1-050	Connection cable	Connection 1: Connector, M12, Axial, Female, A-coded, 8 -pin Connection 2: Open end Shielded: Yes Cable length: 5,000 mm Sheathing material: PUR
	50135133	KD S-M12-8W-P1-050	Connection cable	Connection 1: Connector, M12, Angled, Female, A-coded, 8 -pin Connection 2: Open end Shielded: Yes Cable length: 5,000 mm Sheathing material: PUR

### Mounting technology - Mounting brackets

	Part no.	Designation	Article	Description
	50142896	A7-MW2	Signaling column element	Design: L shape Version: Angle, L-shape Fastening, at system: Through-hole mounting

## Accessories

	Part no.	Designation	Article	Description
	50143660	A7-MW2.5	Signaling column element	Design: L shape Version: Angle, L-shape Fastening, at system: Through-hole mounting

## General

	Part no.	Designation	Article	Description
	50135462	A7-V1-BZ1-M	Signaling column element	Signaling: Acoustic Current consumption, max.: 70 mA Design: Cylindrical Diameter: 70 mm Fastening: Bayonet system Operational controls: DIP switch, 225° potentiometer Ambient temperature: -10 ... 60 °C Degree of protection: IP 66 Tone type: Continuous or pulse tone Sound pressure: 100 dB Number of tones: 8 Piece(s)
	50138151	A7-V1-BZ2-S	Signaling column element	Signaling: Acoustic Current consumption, max.: 20 mA Design: Cylindrical Diameter: 70 mm Fastening: Bayonet system Operational controls: 225° potentiometer Ambient temperature: -10 ... 60 °C Degree of protection: IP 66 Tone type: Continuous tone Sound pressure: 105 dB Number of tones: 1 Piece(s)
	50138366	A7-V1-BZ3-S	Signaling column element	Signaling: Acoustic Current consumption, max.: 30 mA Design: Cylindrical Diameter: 70 mm Fastening: Bayonet system Operational controls: 225° potentiometer Ambient temperature: -10 ... 60 °C Degree of protection: IP 66 Tone type: Pulse tone Sound pressure: 105 dB Number of tones: 1 Piece(s)

### Note



A list with all available accessories can be found on the Leuze website in the Download tab of the article detailed page.